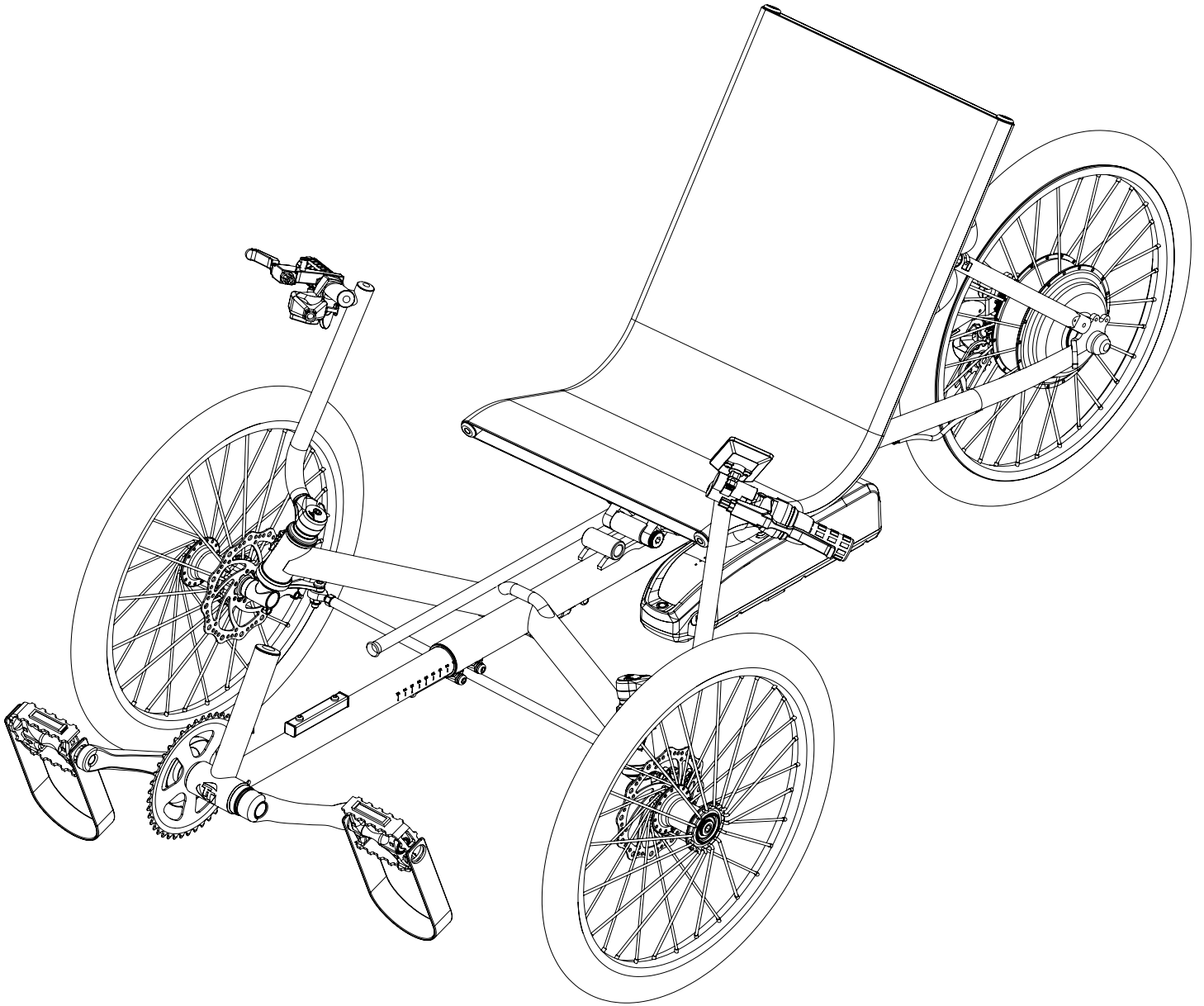


# CHARGE

BOOST KIT FOR 20" WHEELS

-HORIZONTAL GRIP-



BY



**ADVANCED TRIKE CONCEPTS**

Revised 08/2024



## ATTENTION:

- The Charge Boost Kit is only intended for installation on trikes with 20" wheels and must be equipped with a square taper bottom bracket.
- The Charge Boost Kit does not include a battery mounting system. An ATC Fit Kit can be purchased separately for most GreenSpeed and TerraTrike models.
- During assembly, ensure wire plugs are properly aligned and seated completely. Failure to do so could result in error code(s) and prohibit functionality of the Promovec system.

## PRIOR TO INSTALLATION OF CHARGE BOOST KIT:

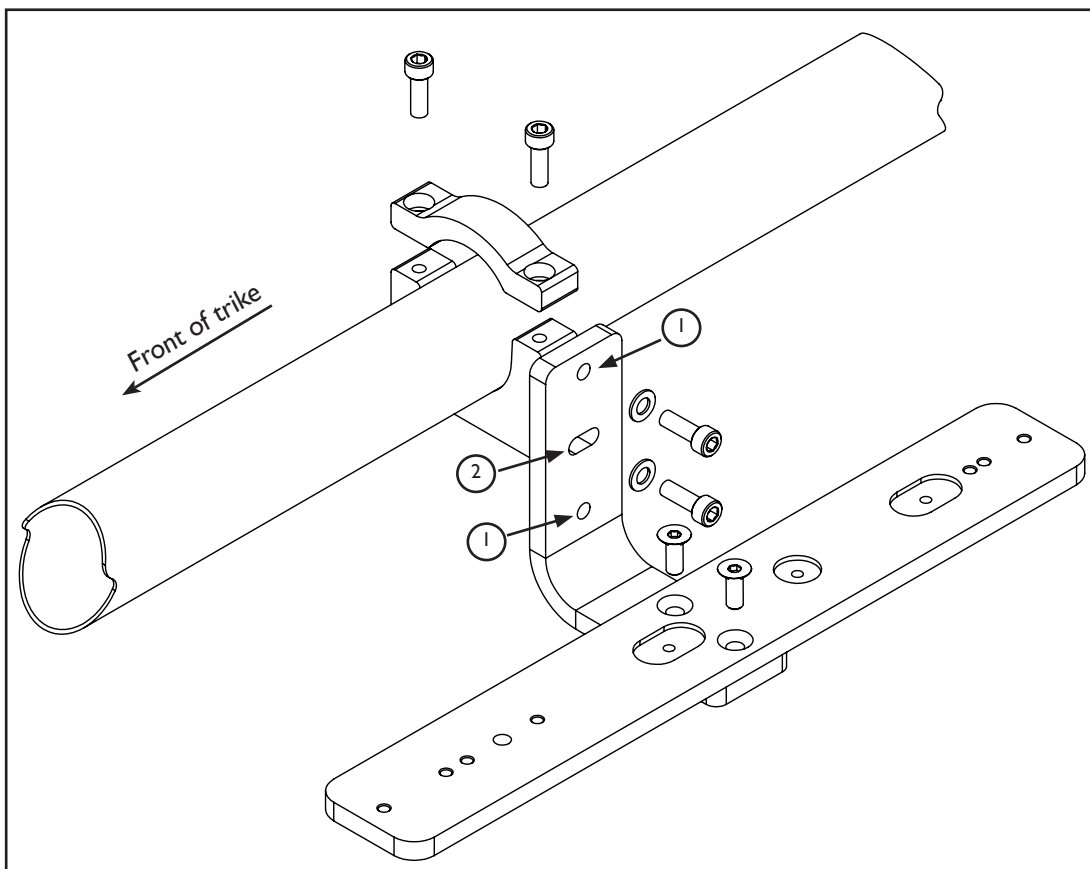
- Remove stock rear wheel and cassette
- Remove left hand shift assembly and grip
- Remove left (non-drive side) crankarm
- Remove seat frame
- Charge battery to 100%





## I Install battery mount onto frame - R5 45mm Round Frame Clamp (WC600003) referenced

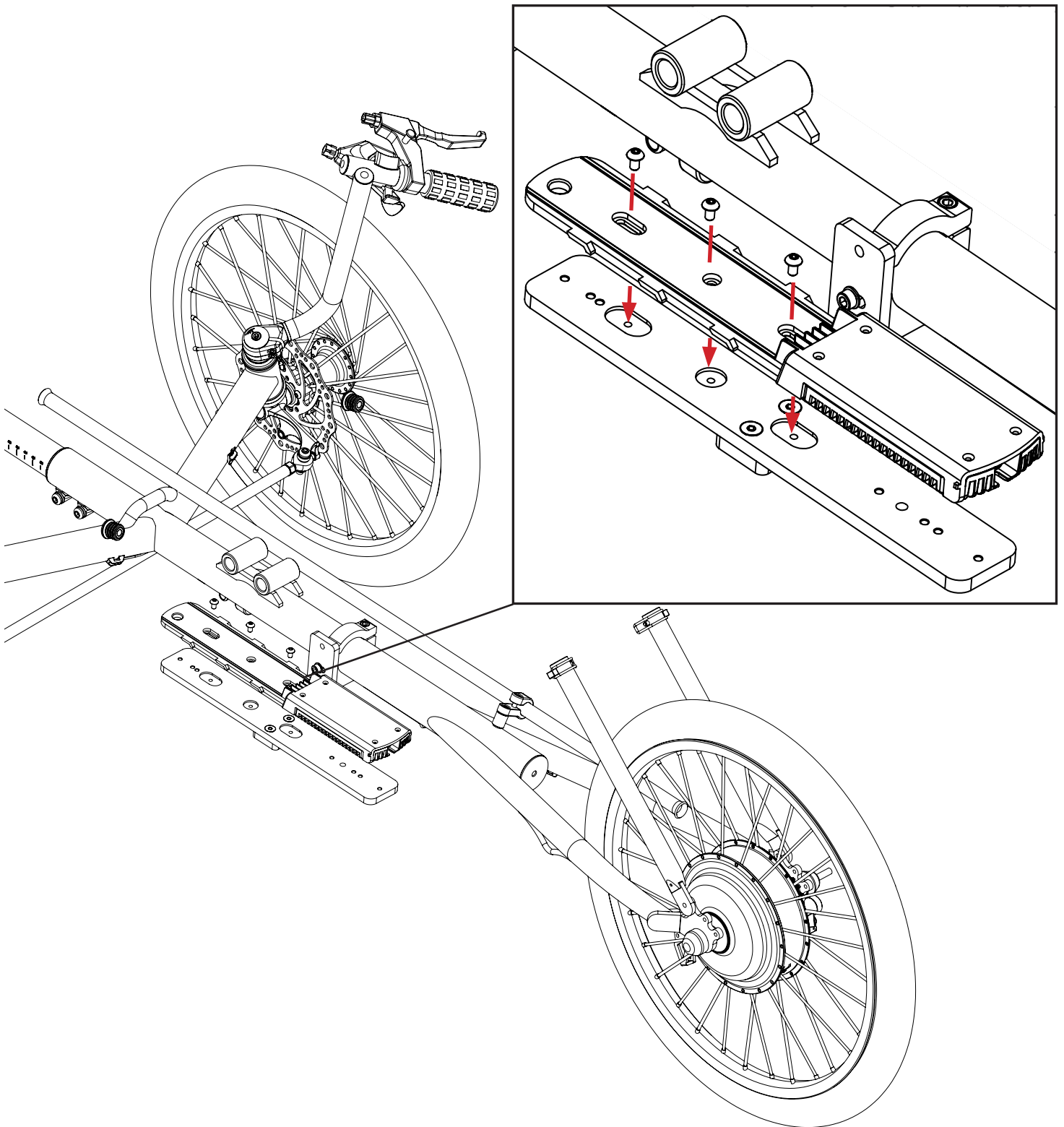
- The R5 battery clamp has multiple points of adjustment. Choose appropriate mounting hole position (1) based on battery to frame and battery to ground clearance. The slotted mounting hole (2) provides ability to angle the mounting plate as needed.
- Route shift cable through channel on frame clamp (driveside not pictured).





2

## Install battery controller - R5 Battery Plate (WC000298) referenced



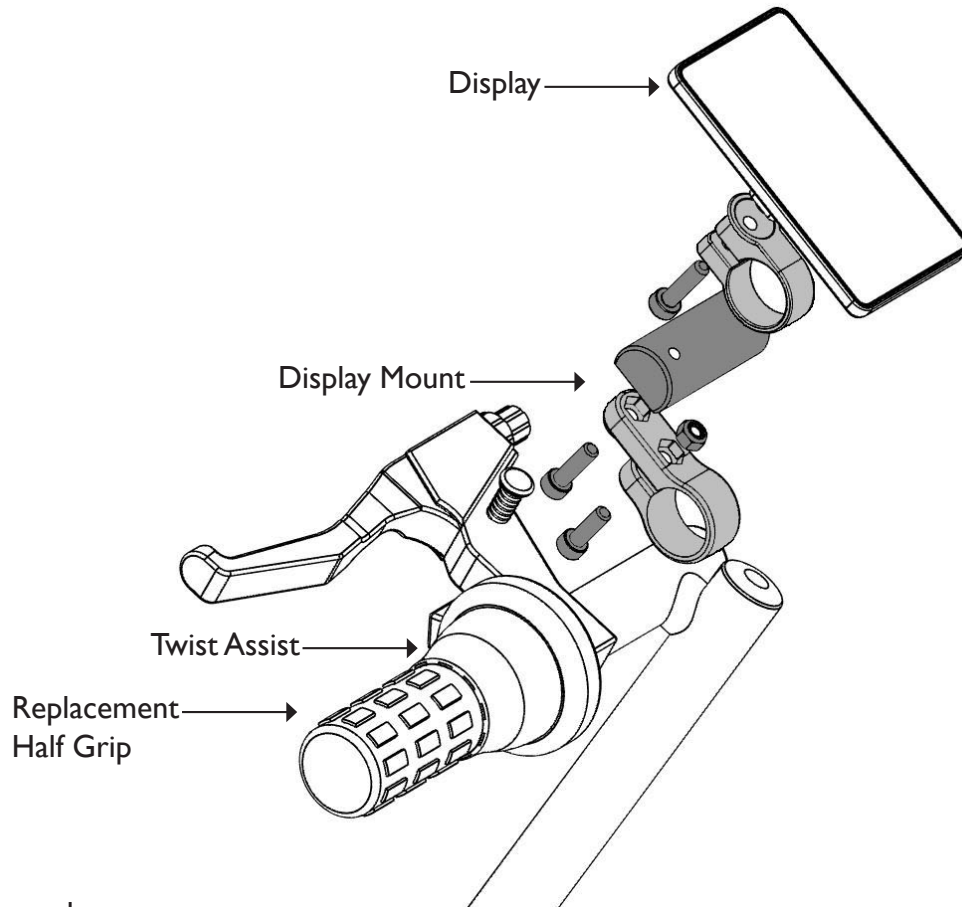


3

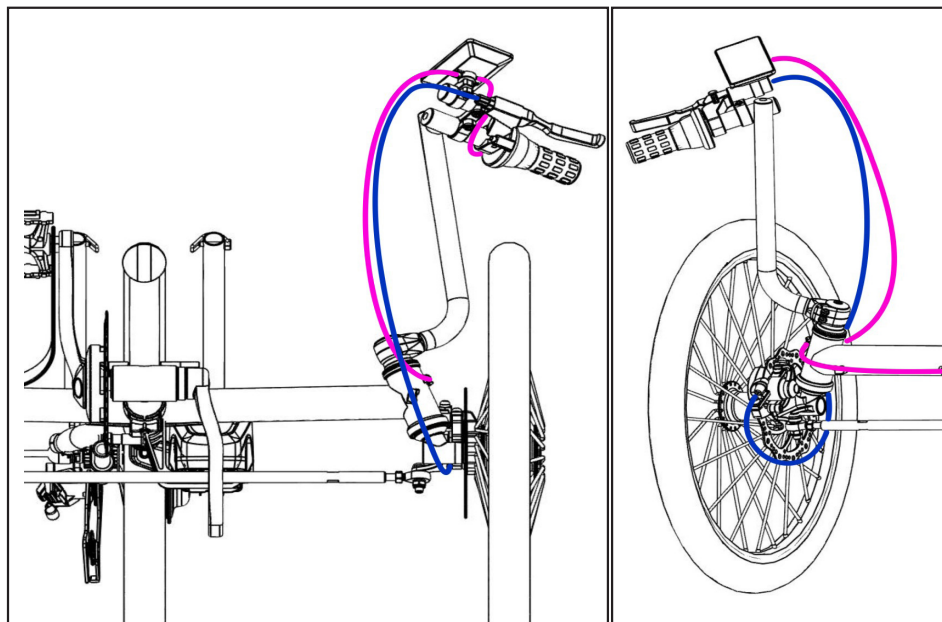
### Install D400 Graphic Display

- Ensure wheel size is set to 62.5.

- Visit [www.terratrike.com/resources/manuals](http://www.terratrike.com/resources/manuals) for additional Promovec manuals.



Cable routing example:



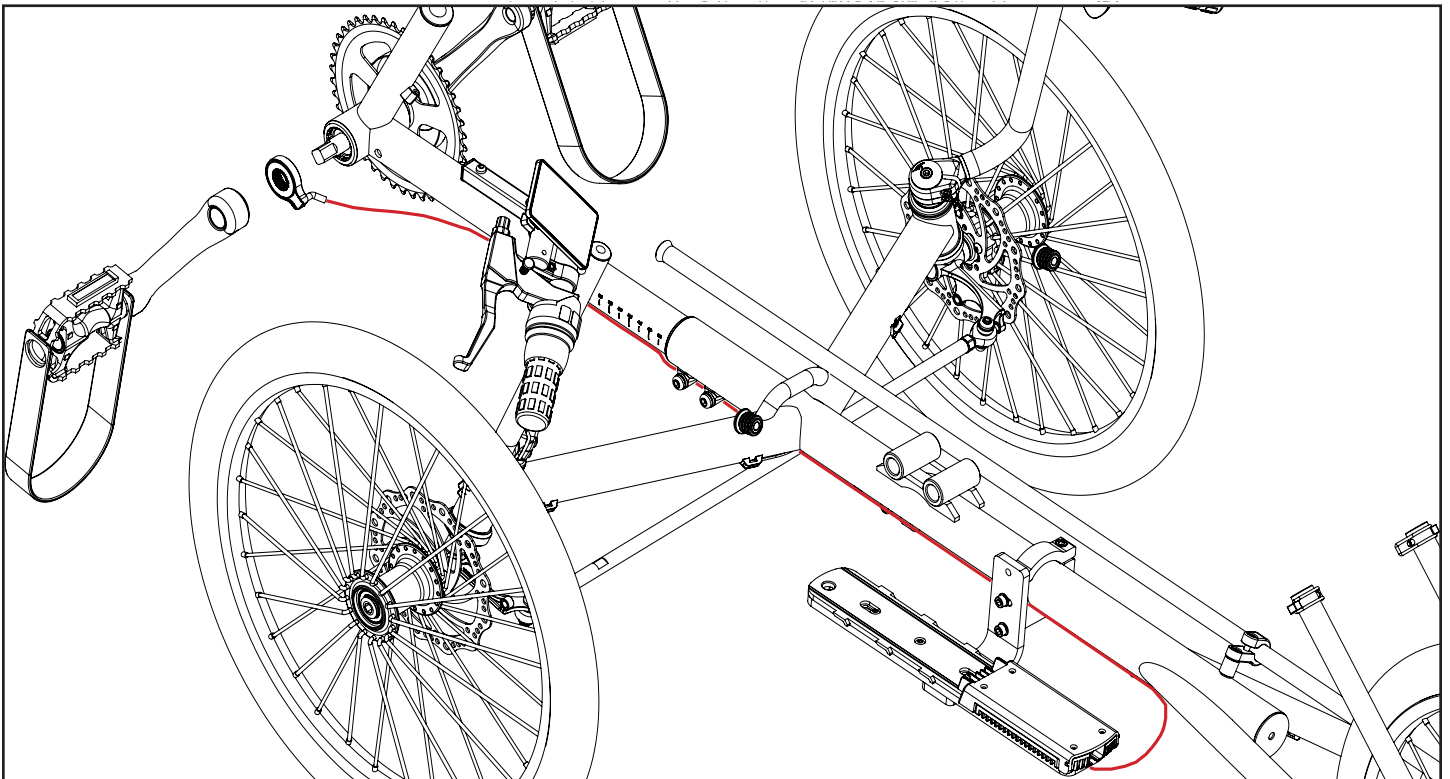
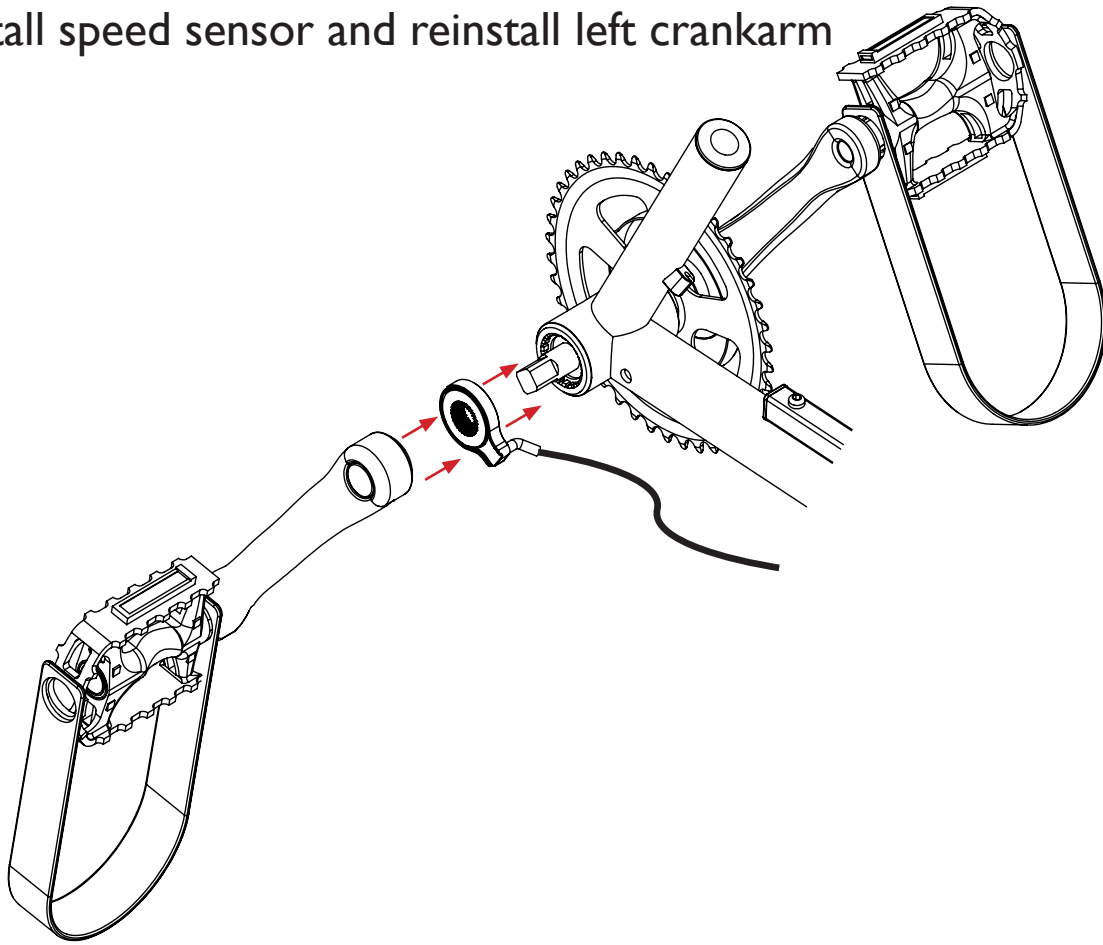
Brake Cable  
Display Cable





4

Install speed sensor and reinstall left crankarm



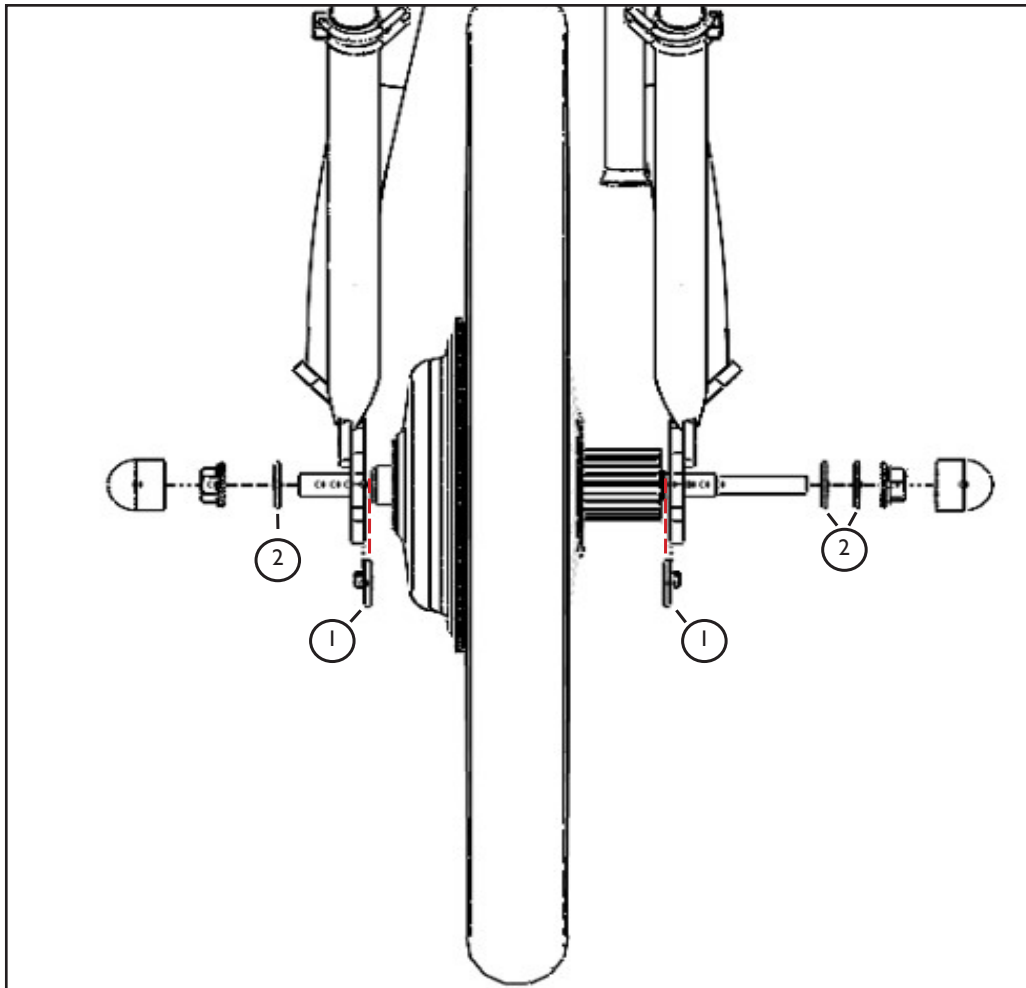


## 5 Install cassette and rear wheel

Anti-rotation washers (1) must be installed on the inside of the dropouts, between the hub and frame. Ensure the washer tabs are aligned with the dropout slots.

Note: Two washers (2) are to be installed on drive side of axle, one washer on non-drive side.

Torque axle nuts to 25-28Nm and install dust caps.



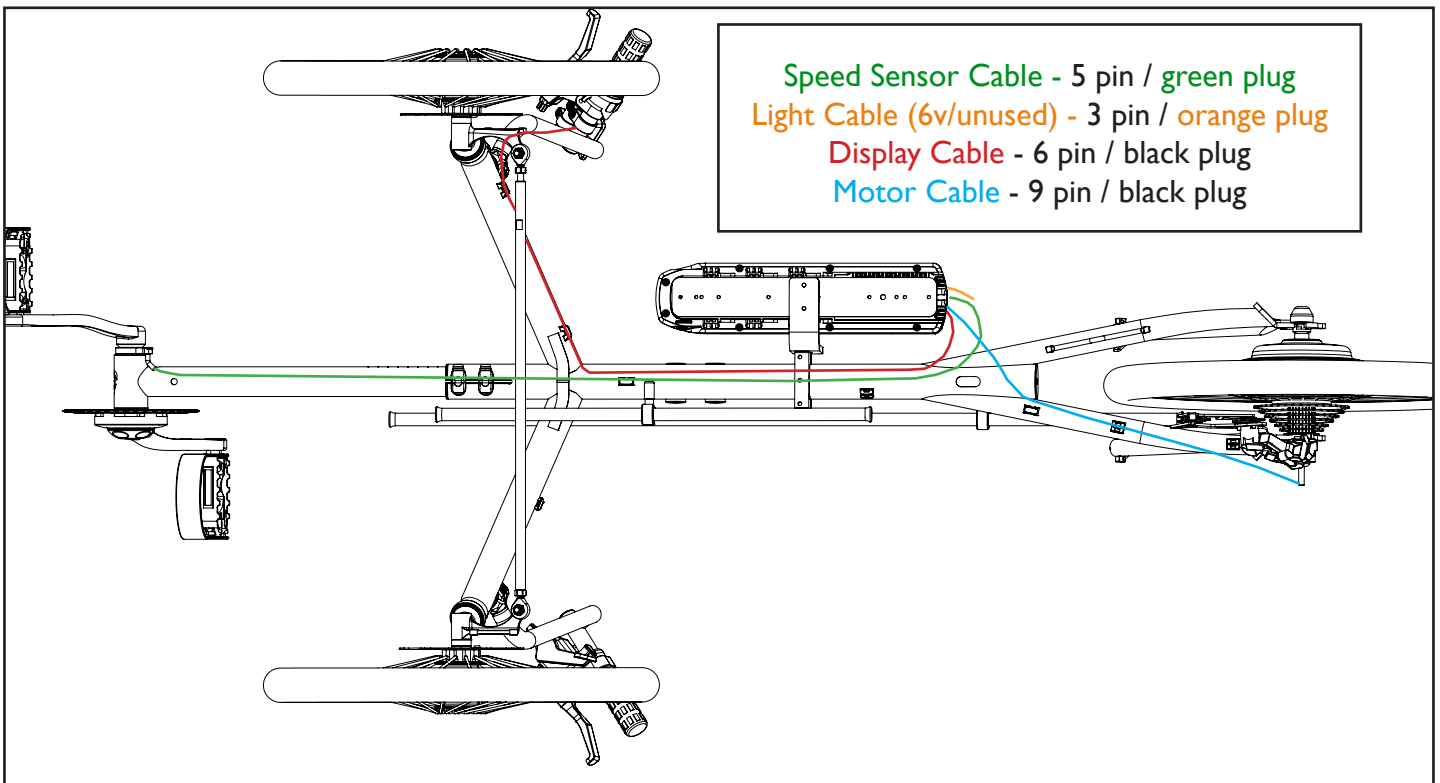


## 6

### Route and secure wires

- Ensure arrows on wire plugs are aligned and seated completely.
- Excess wires can be wound and secured near battery mount if necessary - **DO NOT KINK WIRES!**
- Light not included with Boost Kit, but can be added aftermarket.

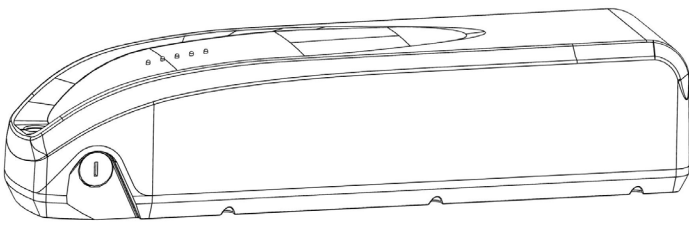
Wire routing example (underside of trike):



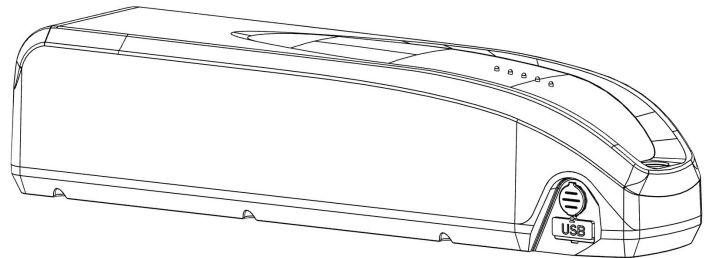


## 7 Battery Installation

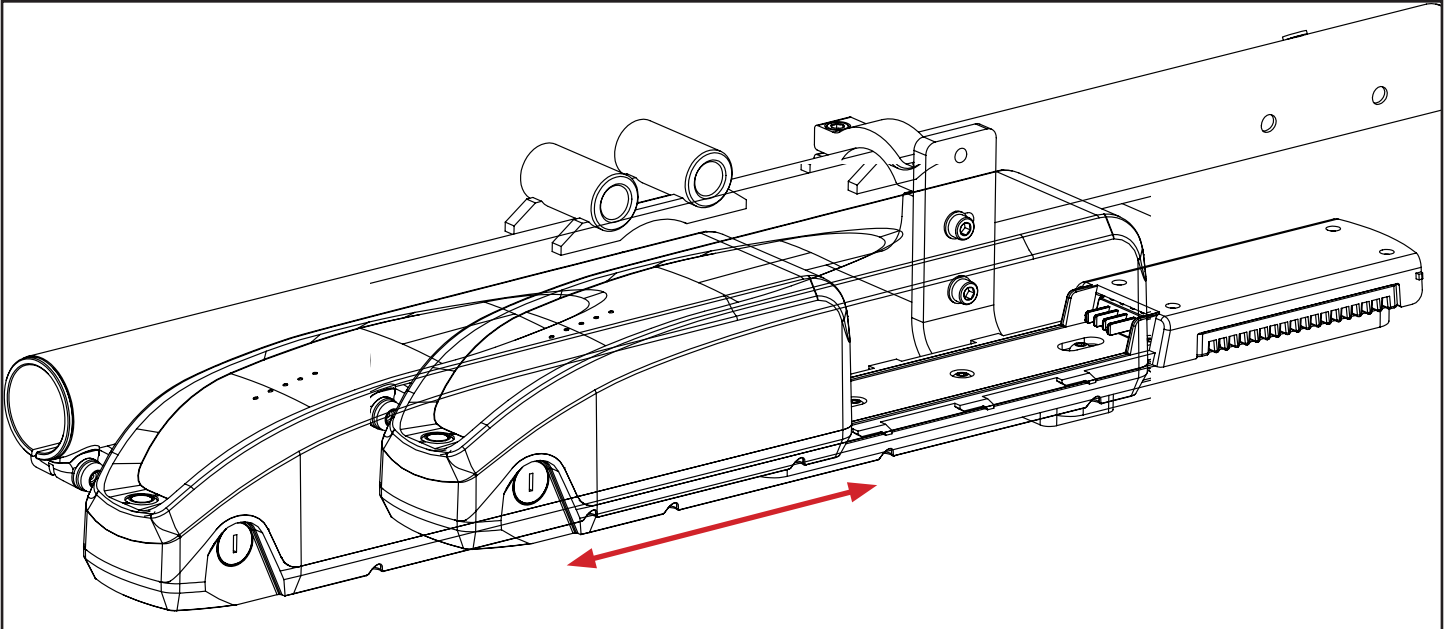
Charging port and USB port are opposite the key port. Battery can be charged on or off the trike. To remove battery, unlock the key port and slide battery toward front of trike. To reinstall battery, align battery on controller and slide battery toward rear of trike. Ensure battery clicks in place and key port is locked once installed. LED lights on top of battery display charge level.



↑  
Key Port



↑  
Charging Port  
+ USB Port





## Final steps

- Double check your work:
  - Wire connections & routing
  - Battery connection
  - Fastener tightness
  - Wheel size setting = 62.5
  - Test ride the finished product
  - Enjoy the ride!

# ADVANCED TRIKE CONCEPTS

4460 40th St SE Grand Rapids, MI 49512

[www.WizWheelz.com](http://www.WizWheelz.com) | 800.945.9910

