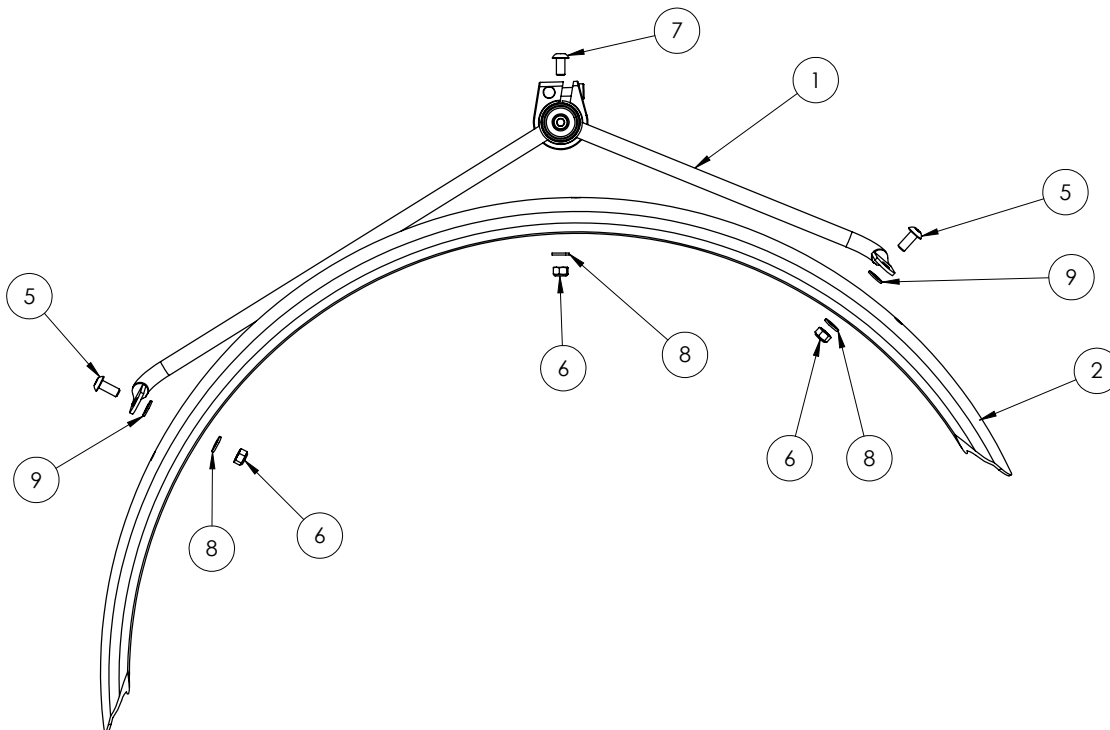
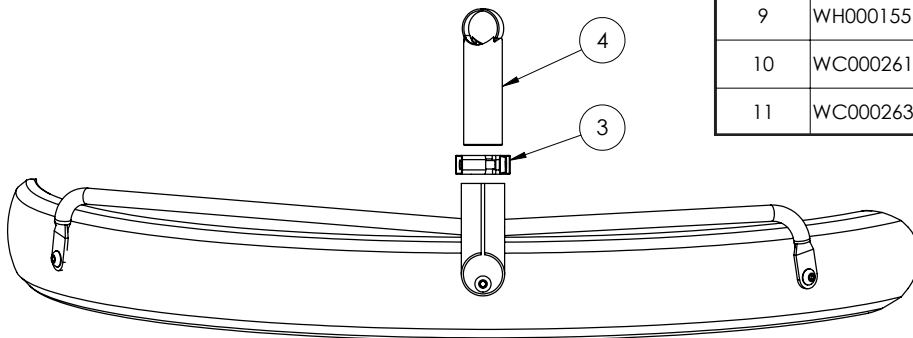


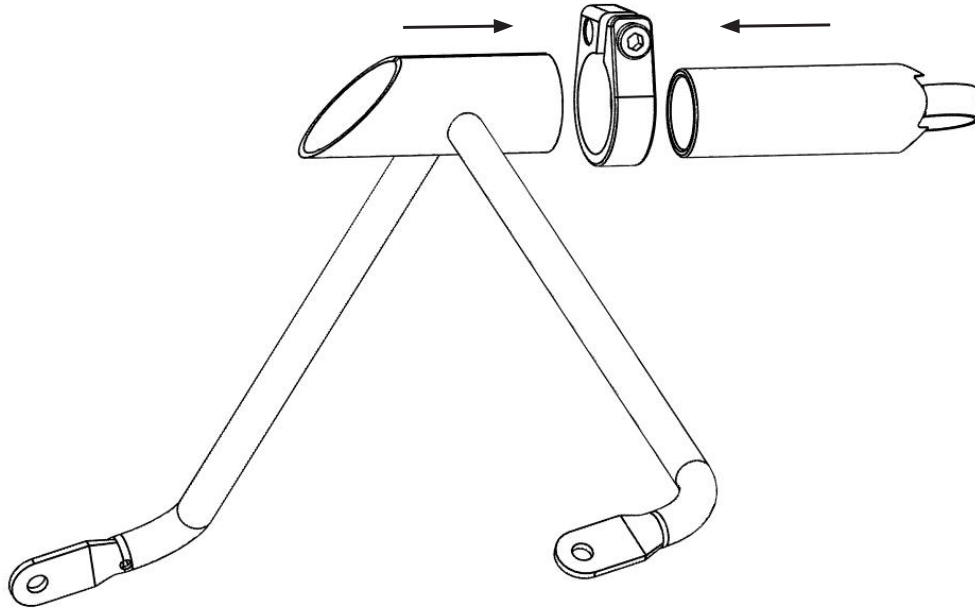


20" Front Fender (GS600095)

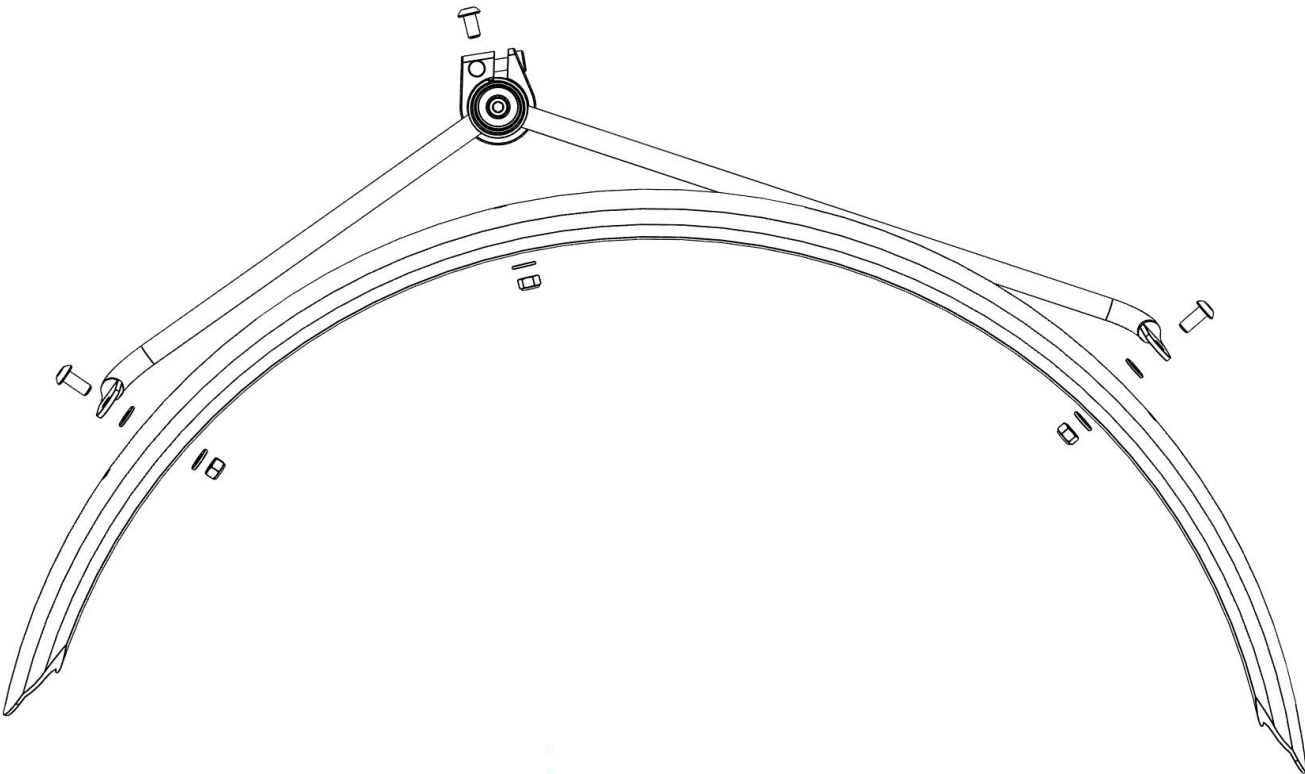
ITEM NO.	PART NUMBER	DESCRIPTION	QTY.
1	WC000260	MUDGUARD BRACKET, RH, BR1	1
2	WC000262	FRONT MUDGUARD SW-812F W/O FLAP, RH 20"	1
3	GS600093	MUDGUARD CLAMP, 25.4mm	2
4	WC500008	MOUNT, ACC 59mm WITH CLAMP	2
5	WH000070	M5x.8 X 12mm BHCS SS	4
6	WH000004	M5x0.8MM STAINLESS STEEL NYLON-INSERT LOCKNUT (TT000252)	6
7	WH000076	M5 x 0.8 mm, 10 mmL BH Hex Screw	2
8	WH000080	M5 Flat Washer SS, 10mm OD	6
9	WH000155	M5 Flat Washer Black Oxide SS, 10mm OD	4
10	WC000261	MUDGUARD BRACKET, LH, BR1	1
11	WC000263	FRONT MUDGUARD SW-812F W/O FLAP, LH 20"	1



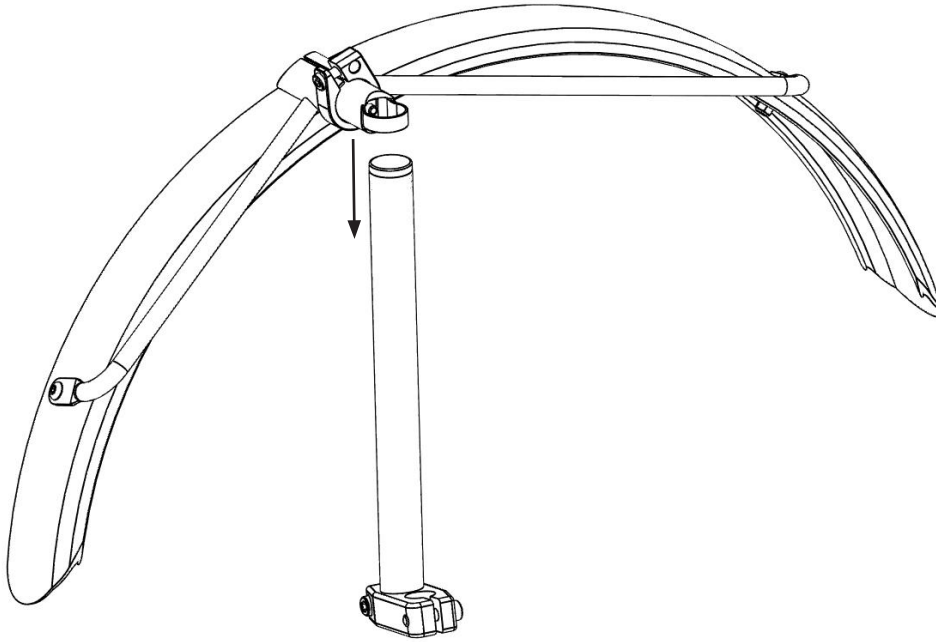
- 1 Install the Mudguard Bracket onto the Accessory Mount and tighten the Mudguard Clamp bolt.



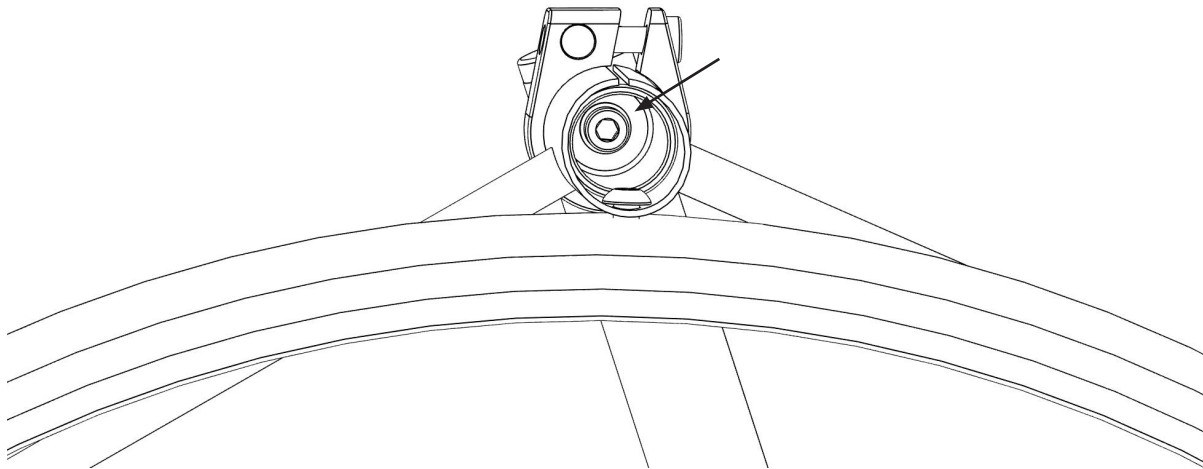
- 2 Attach the Mudguard Bracket to the Mudguard Blade.



- 3** Mount the Fender Assembly onto the corresponding Accessory Post. Note: The longer side of the Mudguard Blade should face the rear of the trike when installed (RH Mudguard assembly depicted.)



- 4** Level the Mudguard Assembly and tighten the Accessory Mount bolt.



800.945.9910 | www.greenspeed-trikes.com
4460 40th St. SE | Grand Rapids, MI 49512 USA