



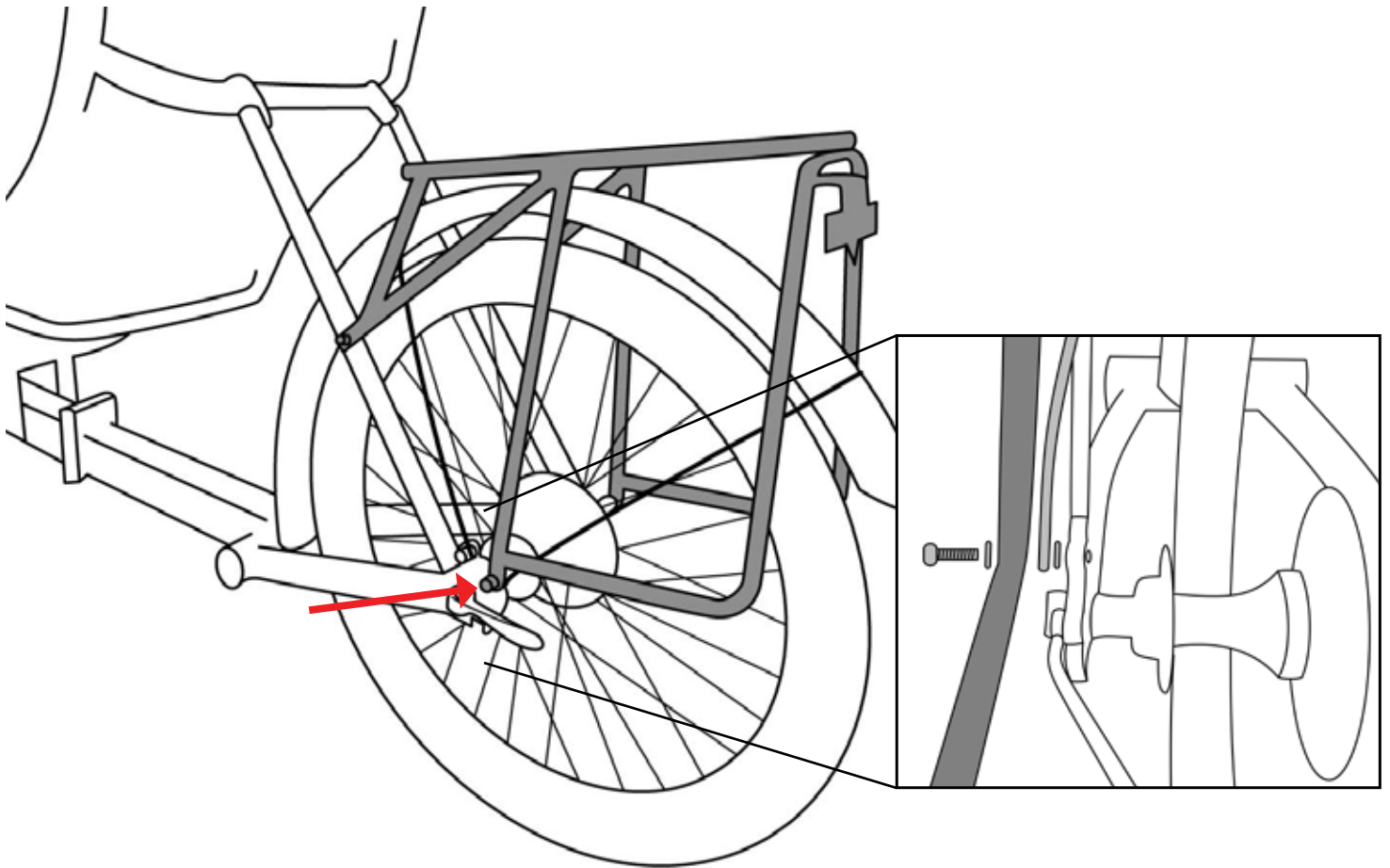
GT20 Rack (GS600105)

1

Using the M6x20 bolts and M6 Flat Washers, attach Rack to rearmost mounting holes on each side of the trike frame. Do not completely tighten bolts.

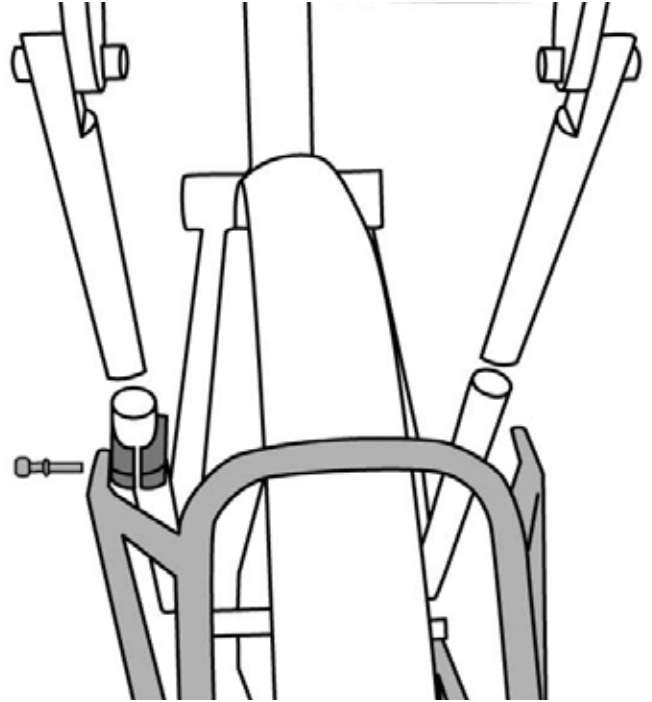
Note: If fender is preinstalled, remove rearmost mounting bolts and replace with M6x20.

Item	Part Number	Qty.
19mm Clamp	GS000480	2
M5x30 Bolt	WH000031	2
M5 Flat Washer	WH000080	2
M6x20 Bolt	TT000293	2
M6 Flat Washer	WH000055	2



2

Remove seat stay pins and detach upper seat stays from lower seat stays. Slide 19mm Clamps onto lower seat stays. Attach Rack to the 19mm Clamps using the M5x30 bolts and M5 Flat Washers.



3

Level the Rack and tighten all fasteners.

