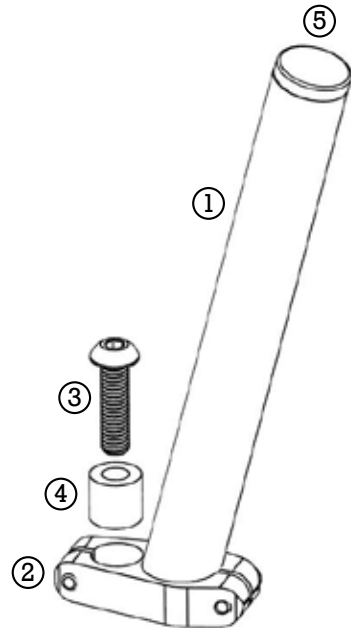




16" Accessory Post (GS600011)

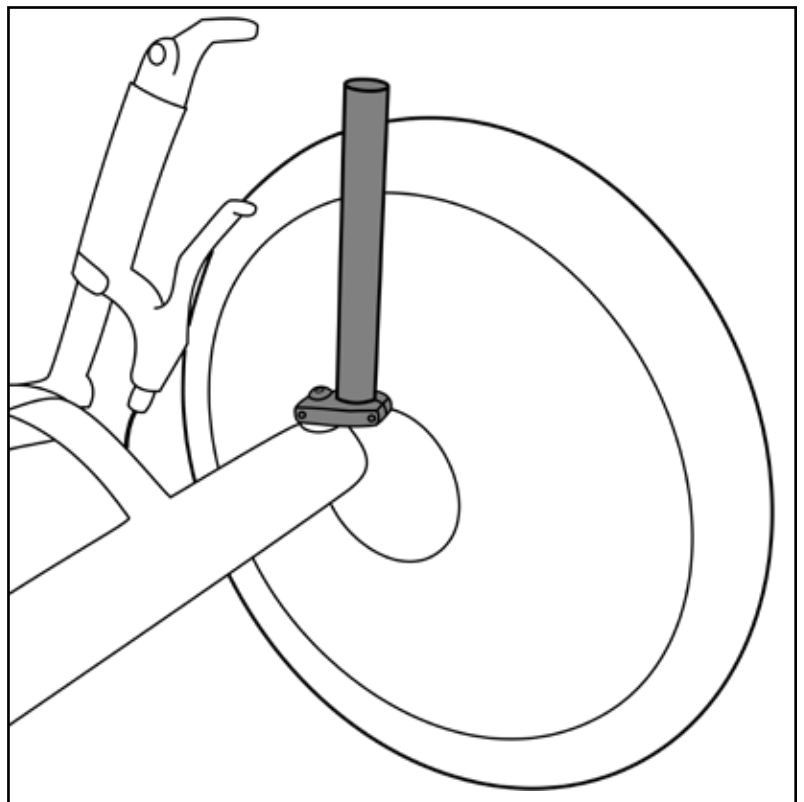
	Item	Part Number	Qty.
1	Accessory Mounting Post	GS600004	1
2	15mm Clamp	GS600002	1
3	M8x30 (Aero Models Only)	WH000140	1
4	Spacer (Aero Models Only)	GS600003	1
5	End Cap	WC000216	1



AERO MODELS:

Remove the stock hubmount bolt and washer. Replace with M8x30 bolt and Spacer. Install Accessory Post into 15mm Clamp and tighten Clamp bolt. Mount Accessory Post assembly onto M8x30 bolt and Spacer. Tighten Clamp bolt.

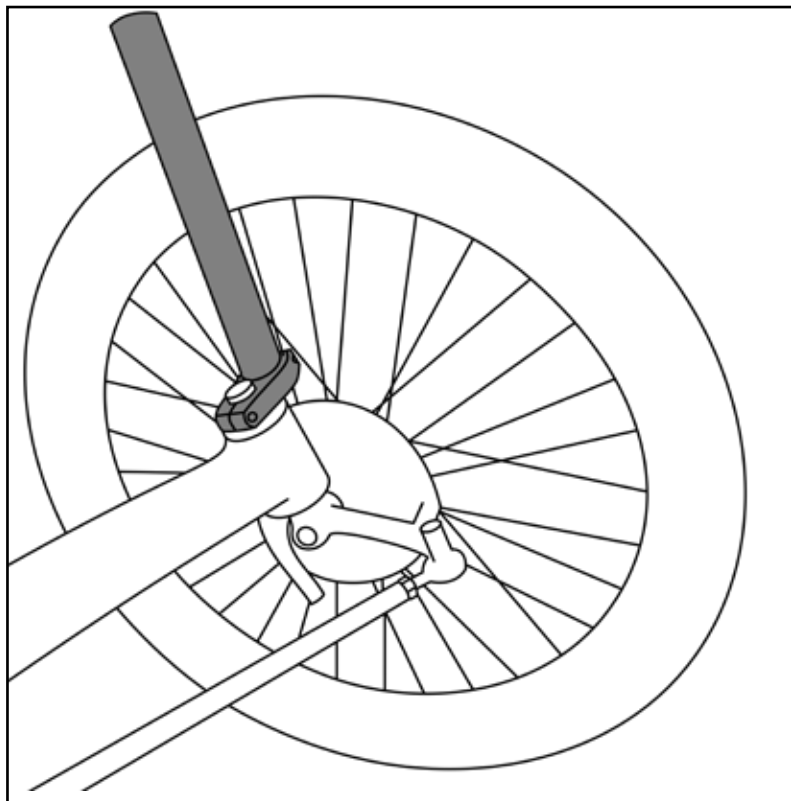
Note: Be sure to position the Clamp so the Post is leaning away from handlebar.



X7 MODELS:

Remove the stock hubmount clamp. Install Accessory Post into 15mm Clamp. Mount Accessory Post assembly onto hubmount and tighten all fasteners.

Note: Be sure to position the Clamp so the Post is leaning towards the wheel.



GreenSpeed

800.945.9910 | www.greenspeed-trikes.com
4460 40th St. SE | Grand Rapids, MI 49512 USA