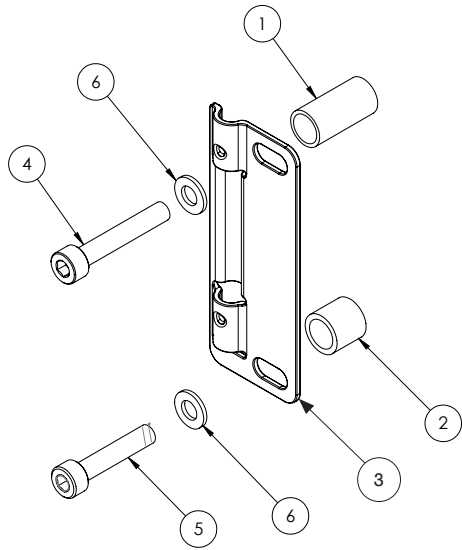


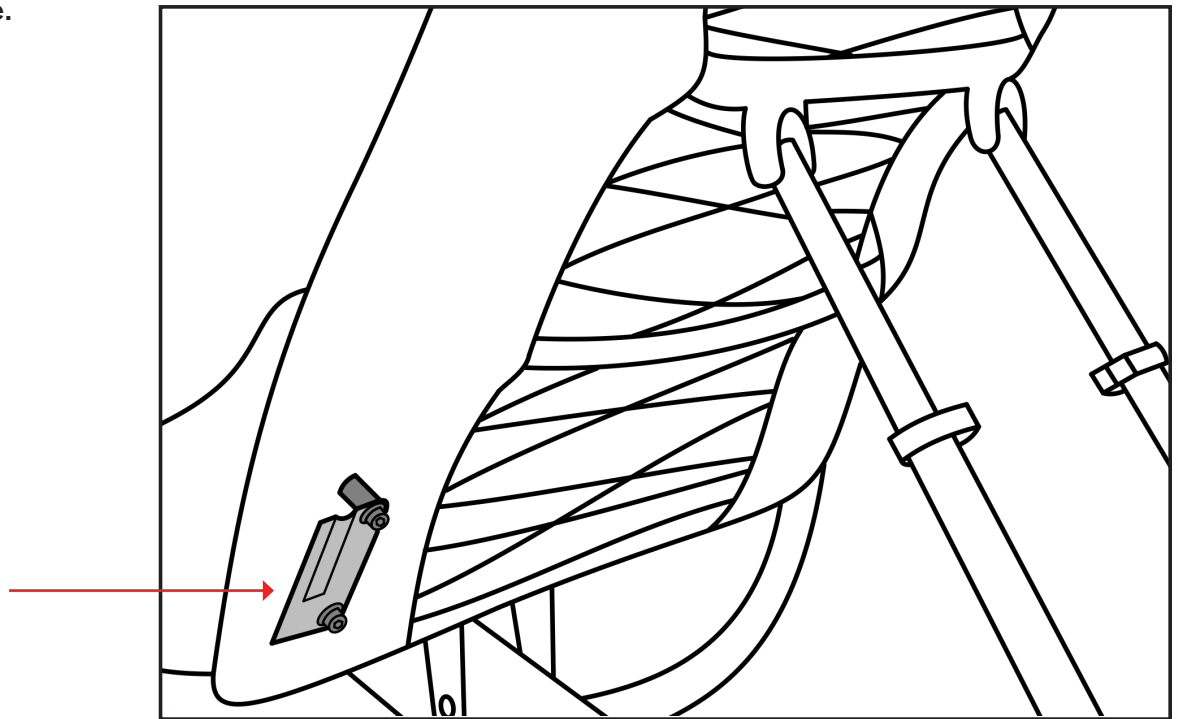


## Anura Flag Mount (GS600128)



ITEM NO.	PART NUMBER	DESCRIPTION	QTY.
1	TT000123	Spacer, 20mm L, 8mm ID x 10mm OD	1
2	TT000262	IDLER WHEEL SPACER, 10mm	1
3	TT000901	Flag Mount Bracket	1
4	WH000031	M5x30mm SHCS SS	1
5	WH000032	M5x25mm SHCS SS	1
6	WH000080	M5 Flat Washer SS, 10mm OD	2

Locate the threaded mounts on the seat frame rail beneath the seat mesh. Cut or burn relief holes in the seat mesh to expose the threads. Install the flag bracket using the hardware specified above. The flag mount can be installed on the left or right side of the seat frame.



800.945.9910 | [www.greenspeed-trikes.com](http://www.greenspeed-trikes.com)  
4460 40th St. SE | Grand Rapids, MI 49512 USA