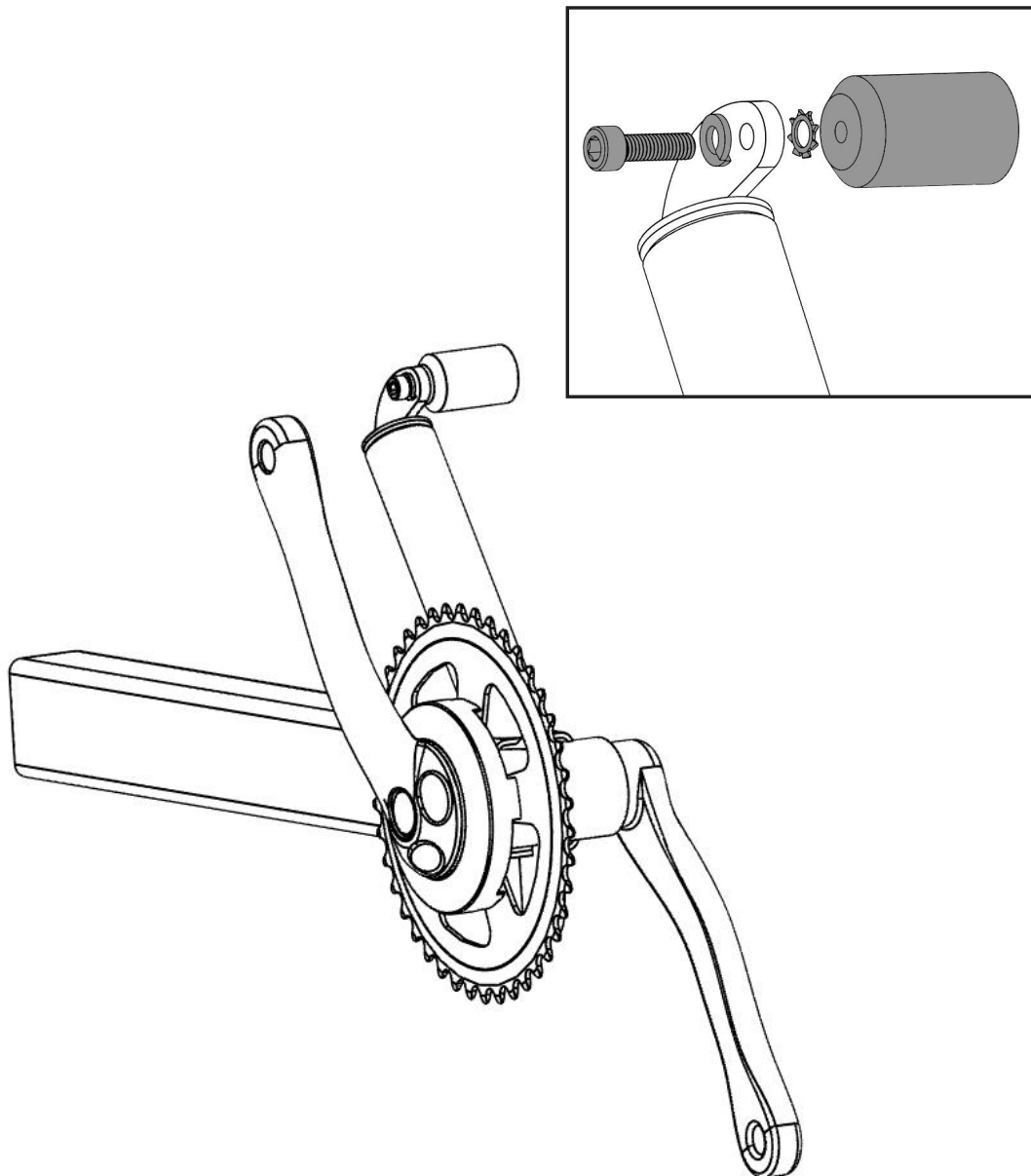




Light Mount (GS600030)

Using a 5mm Allen Wrench, attach the light mount to the boom stub tube as shown below.



800.945.9910 | www.greenspeed-trikes.com
4460 40th St. SE | Grand Rapids, MI 49512 USA

Revised 4/2023


GreenSpeed

800.945.9910 | www.greenspeed-trikes.com
4460 40th St. SE | Grand Rapids, MI 49512 USA

