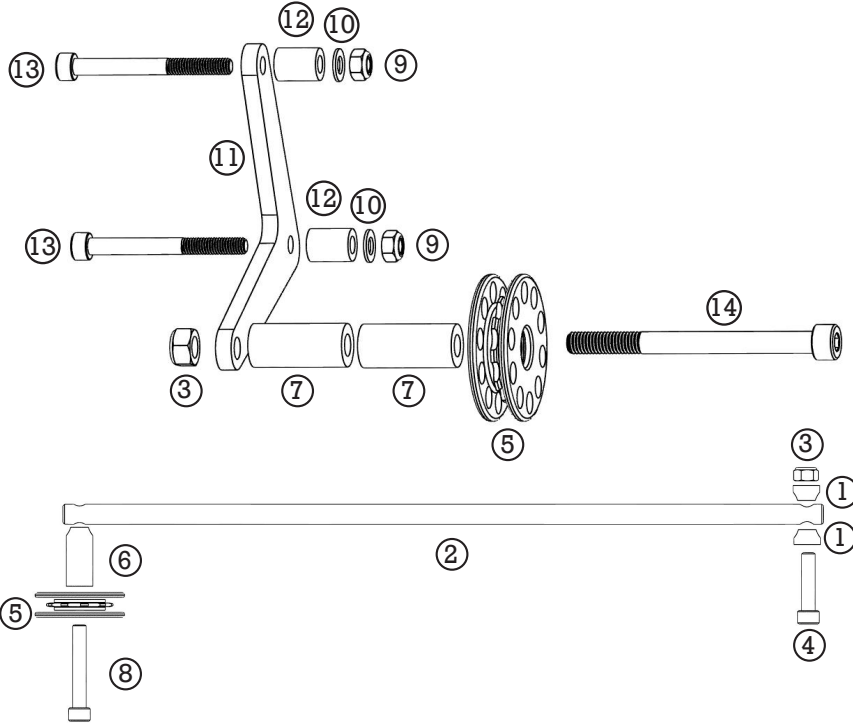


# GreenSpeed

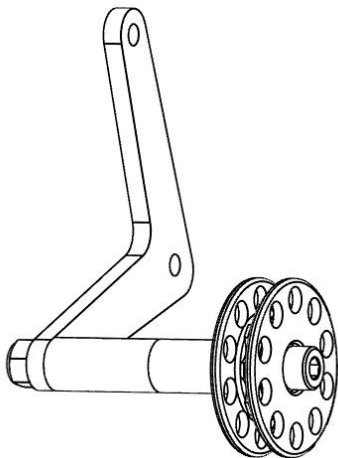
## Anura Chain Gobbler GS600127



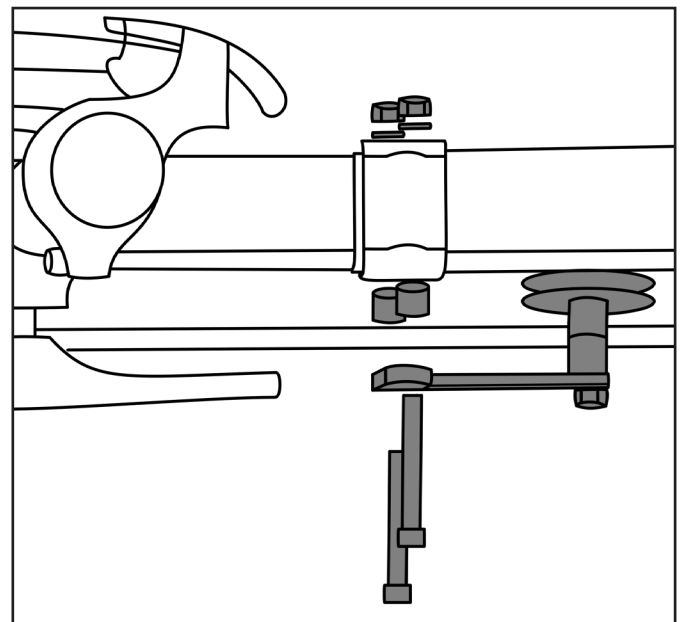
ITEM NO.	PART NUMBER	DESCRIPTION	QTY.
1	GS000481	GS CHAIN GOBBLER ROD WASHER	2
2	GS000482	GS CHAIN GOBBLER MOVING IDLER ROD	1
3	WH000082	M8x1.25mm STAINLESS STEEL NYLON-INSERT LOCKNUT	2
4	WH000008	M8X1.25 X 35MM Long, Stainless Steel SHCS Full Thread	1
5	TT000261	IDLER, 10T DELUXE	2
6	GS000483	GS CHAIN GOBBLER MOVING IDLER SPACER	1
7	GS000484	GS IDLER SPACER, 36mm LONG	2
8	WH000083	M8x1.25 x 50MM SHCS STAINLESS STEEL	1
9	WH000007	M6x1.0 Nylon Locknut SS	2
10	WH000055	M6 Flat Washer w/12mm OD, SS	2
11	WC000103	IDLER L-BRACKET, 75mm	1
12	WC000104	SPACER, ROUND TUBE, 16mm LONG	2
13	WH000095	M6x1.0mm x 60mm SHCS	2
14	WH000096	M8 x 1.25mm x 100mmL SHCS	1

- 1 Refer to parts diagram above for fastener specifications related to steps 1-3.

Assemble Idler L Bracket.

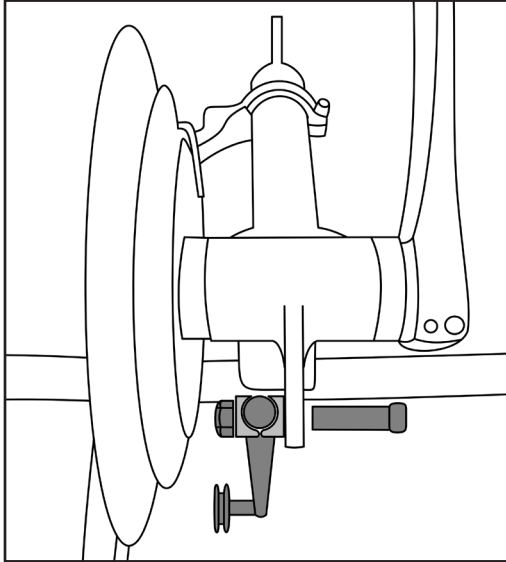


- 2 Remove stock boom clamp bolts. Attach Idler L Bracket assembly to non-drive side of boom clamp using the M6x60 bolts.



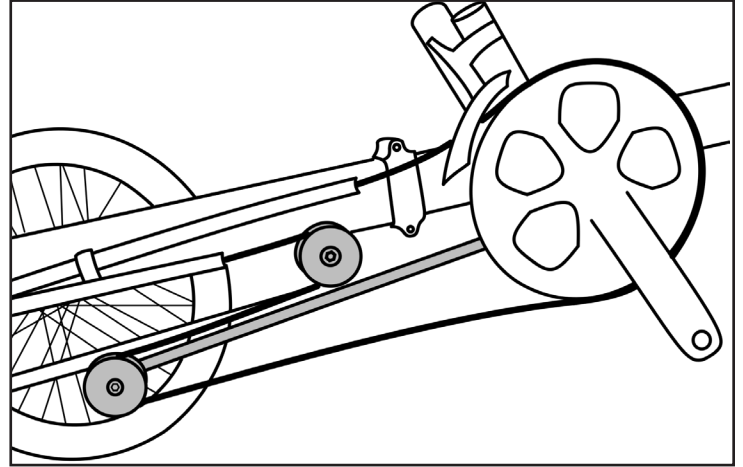
3

Install Moving Idler Rod assembly on boom mount using the M8x35 bolt and M8 nyloc nut.



4

Route chain as shown below.



**GreenSpeed**

800.945.9910 | [www.greenspeed-trikes.com](http://www.greenspeed-trikes.com)  
4460 40th St. SE | Grand Rapids, MI 49512 USA

Revised 1/2023