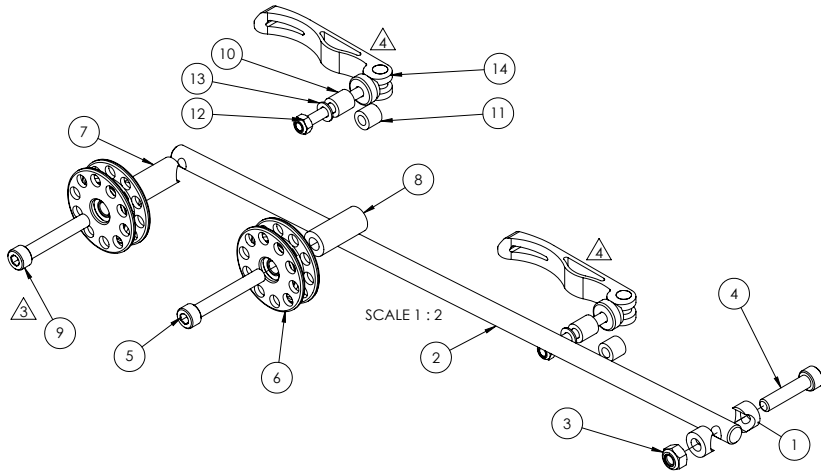


GreenSpeed

GS Chain Gobbler MAG/GT GS600112

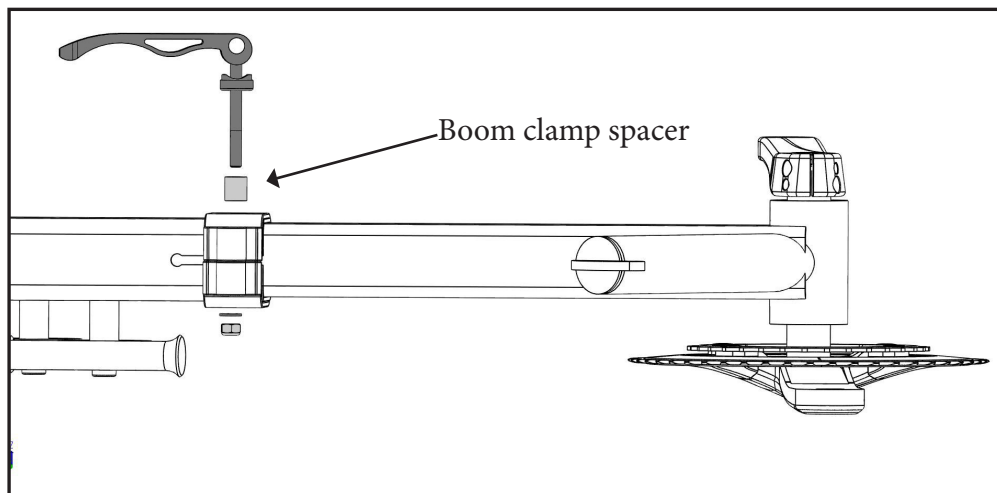


ITEM NO.	PART NUMBER	DESCRIPTION	QTY.
1	GS000481	GS CHAIN GOBBLER ROD WASHER	2
2	GS000482	GS CHAIN GOBBLER MOVING IDLER ROD	1
3	WH000082	M8x1.25mm STAINLESS STEEL NYLON-INSERT LOCKNUT	1
4	WH000008	M8X1.25 X 35MM long, Stainless Steel SHCS Full Thread	1
5	WH000009	M8x1.25mm x 55mm Long Stainless Steel SHCS	1
6	TT000261	IDLER, 10T DELUXE	2
7	GS000483	GS CHAIN GOBBLER MOVING IDLER SPACER	1
8	GS000484	GS CHAIN GOBBLER FIXED IDLER SPACER	1
△ 9	WH000083	M8x1.25 x 50MM SHCS STAINLESS STEEL	1
△ 10	WC000063	SPACER FOR GS BOOM CLAMP, 13mm LONG	2
△ 11	WC000064	SPACER FOR GS BOOM CLAMP, 10.5mm LONG	2
△ 12	WH000007	M6x1.0 Nylon Locknut SS	2
△ 13	WH000055	M6 Flat Washer w/12mm OD, SS	2
△ 14	WC000062	QUICK RELEASE CAM LEVER - M6 THD	2

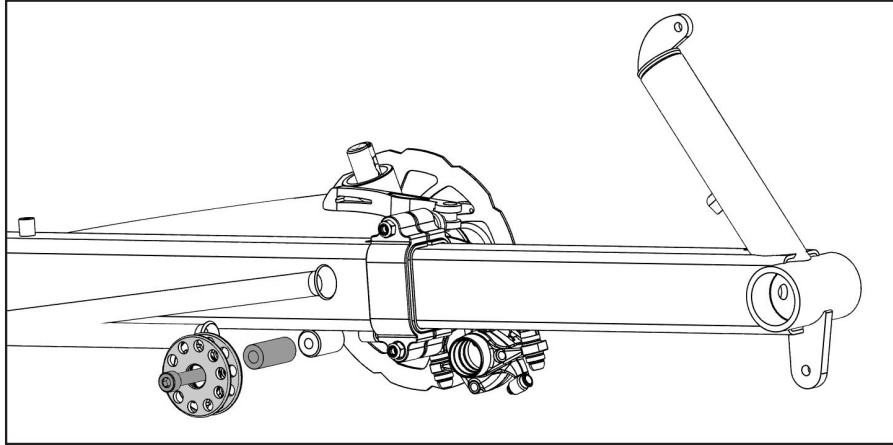
1

Remove boom clamp bolts. Install Quick Release Levers (14), Boom Clamp Spacers* (10/11), M6 Flat Washers (13), and M6 Nyloc Nuts (12).

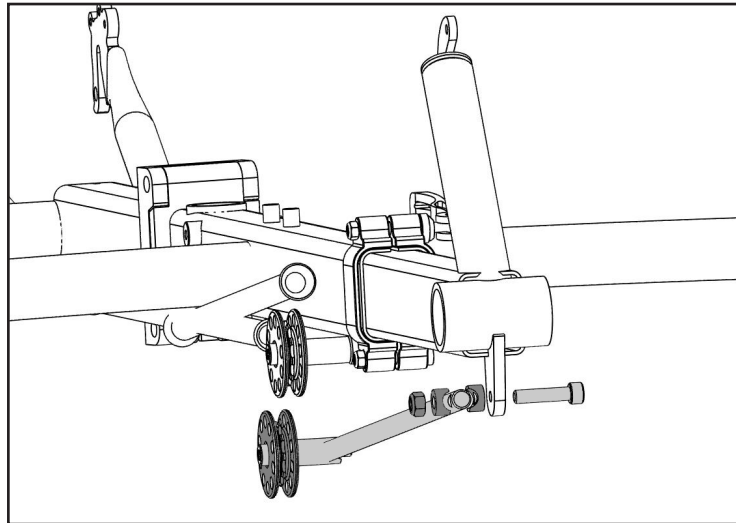
*Note: Boom clamp spacers are model specific. For Magnum models, use 10.5mm spacers (11). For GT models, use 13mm spacers (10).



- 2 Install 10t Idler (6) and Fixed Idler Spacer (8) onto frame using the M8x55 bolt (5).



- 3 Install Moving Idler Rod Assembly on boom mount using the M8x35 bolt (4) and M8 Nyloc Nut (3).



- 4 Route chain as shown below.

